



ILLUSTRATIONS

EXAMPLE OF APPROVED HURDLE

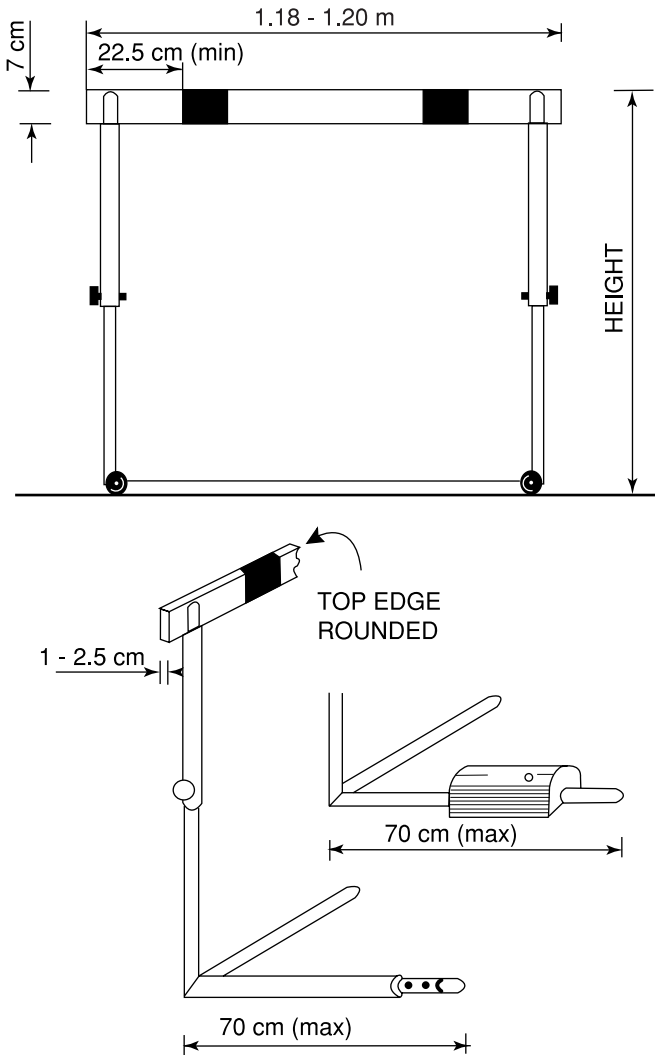


FIGURE 1

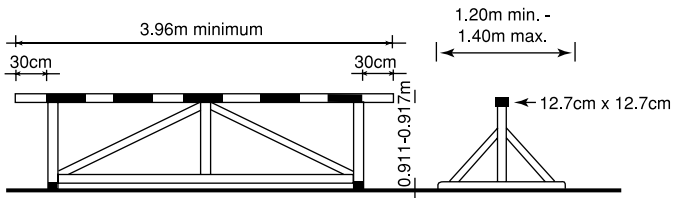


FIGURE 3 – STEEPLCHASE BARRIER

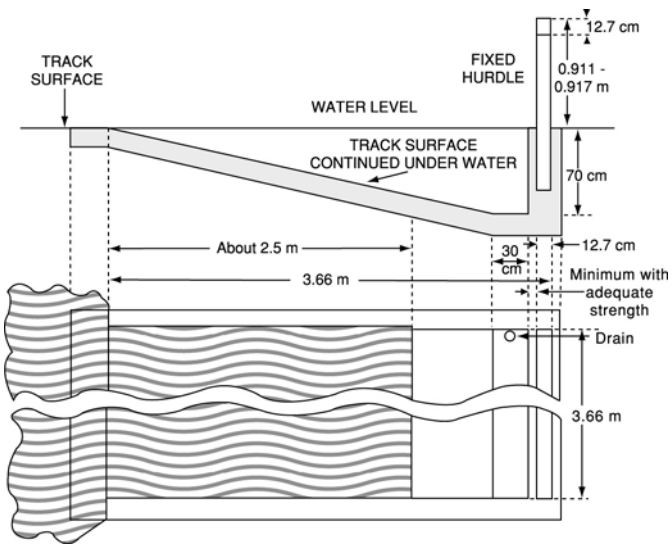


FIGURE 4 – WATER JUMP

FIGURE 6 – TAKE-OFF BOARD AND PLASTICINE BOARD

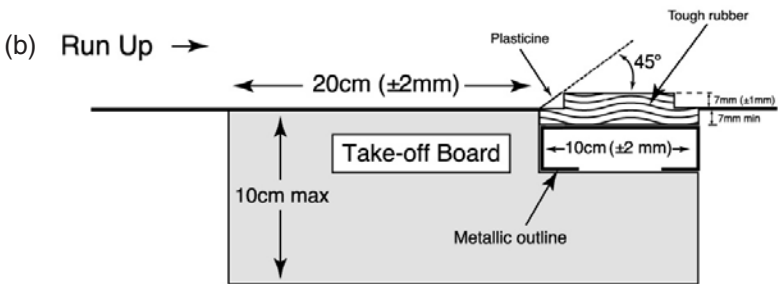
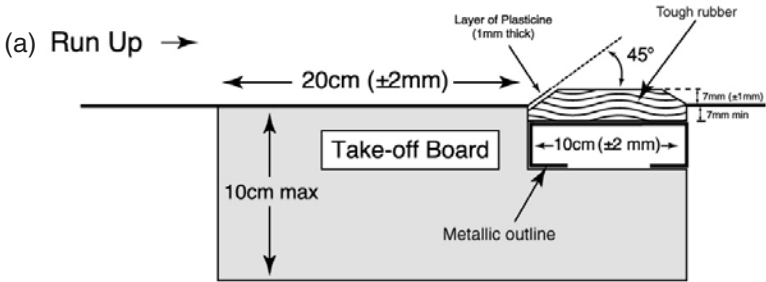


FIGURE 7 – END VIEW OF CROSSBAR

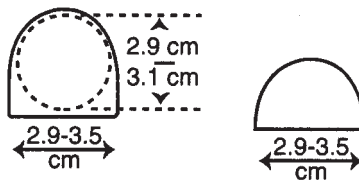


FIGURE 8 – LAYOUT OF CONCENTRIC CIRCLES FOR DISCUS AND HAMMER

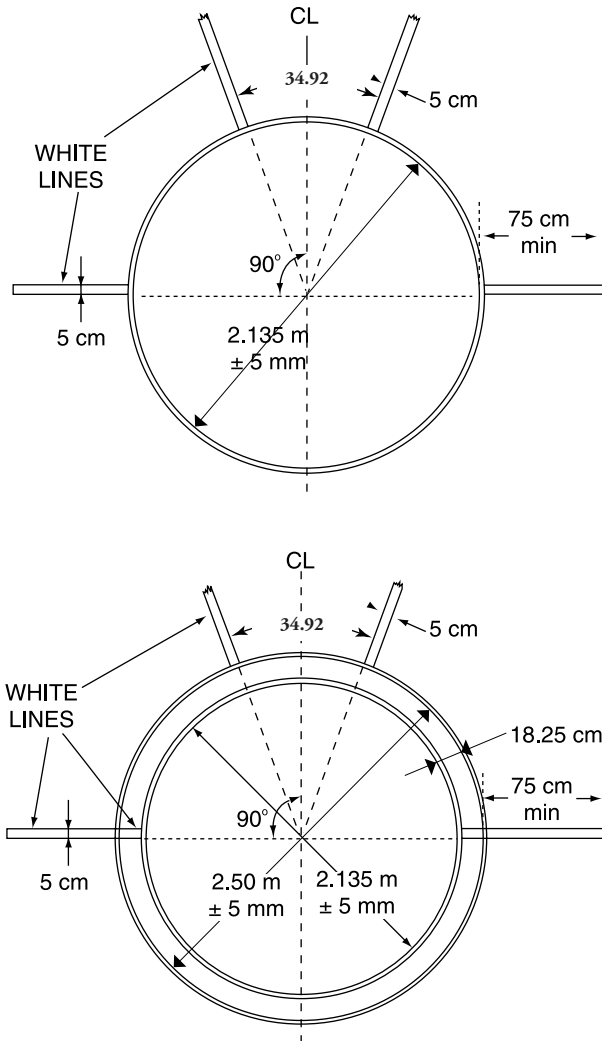


FIGURE 9 – LAYOUT OF SHOT STOPBOARD

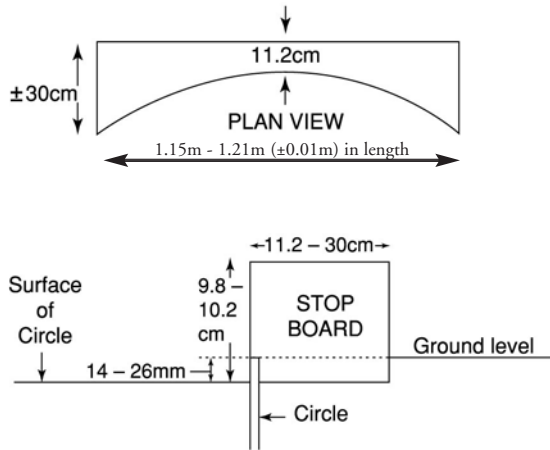
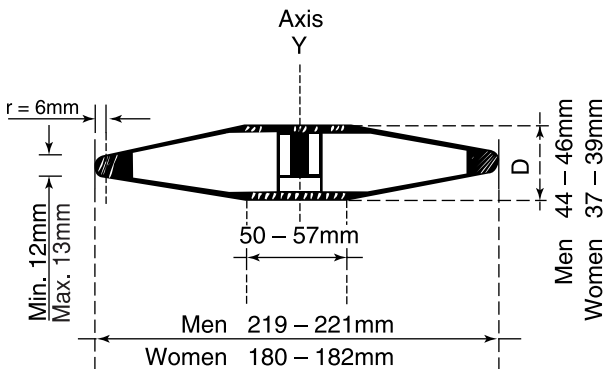


FIGURE 10 – DISCUS



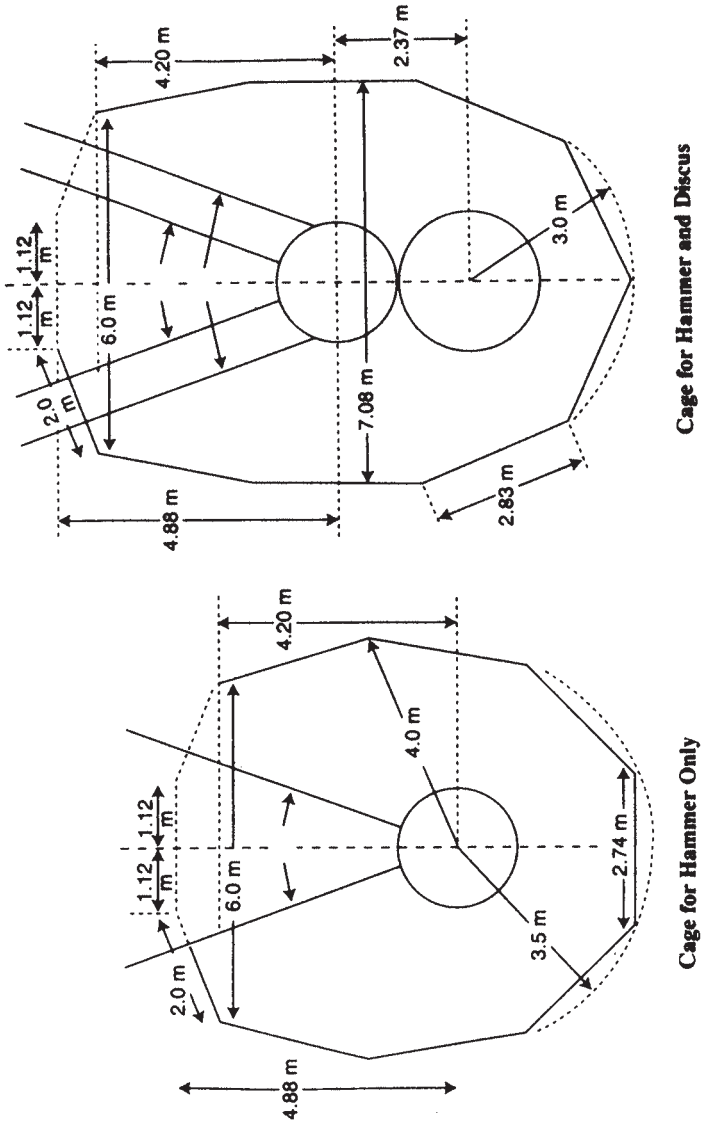


FIGURE 13 – ALTERNATE LAYOUTS USING PRE-2004 CAGES

FIGURE 14 – HAMMER HANDLE

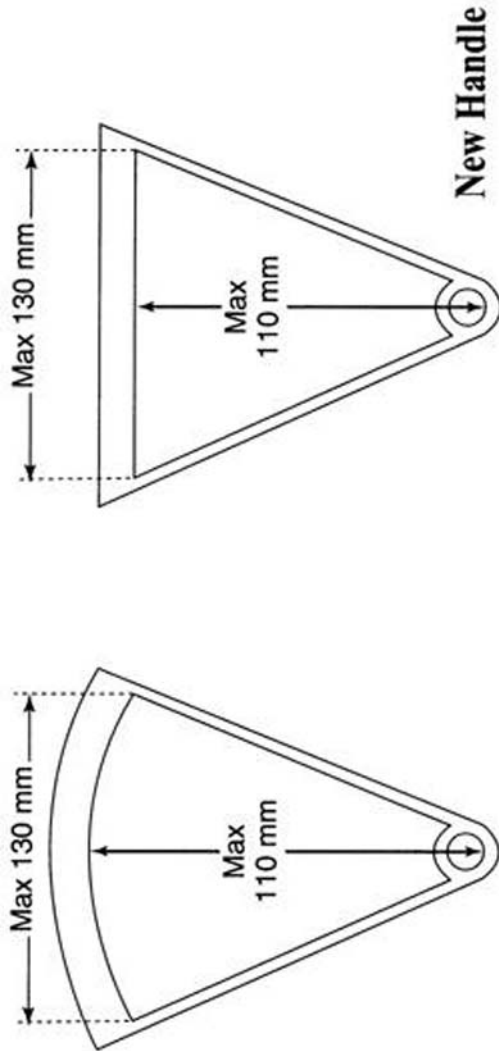


FIGURE 15 – MINI JAVELIN

